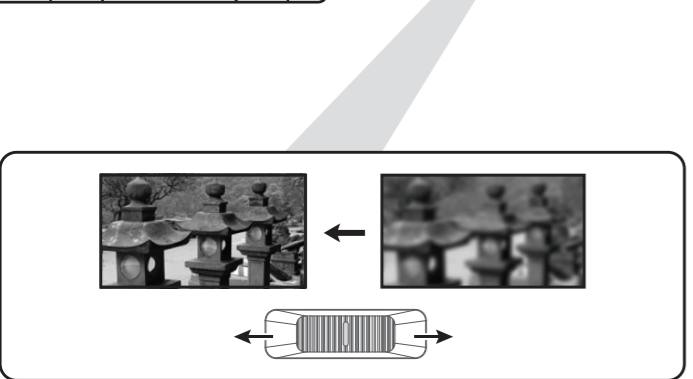
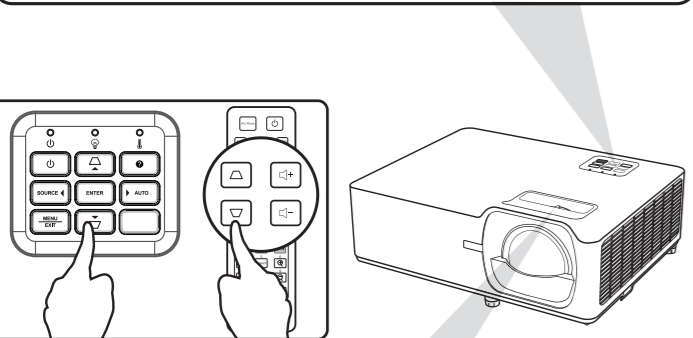
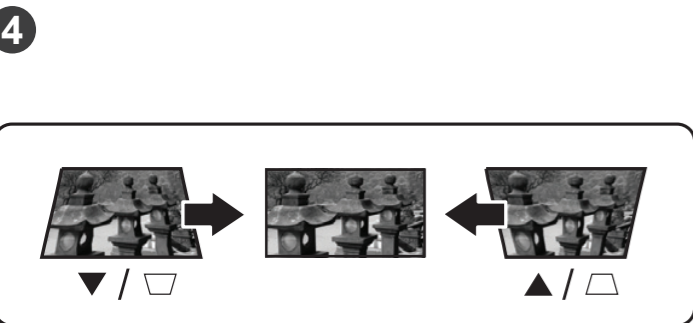
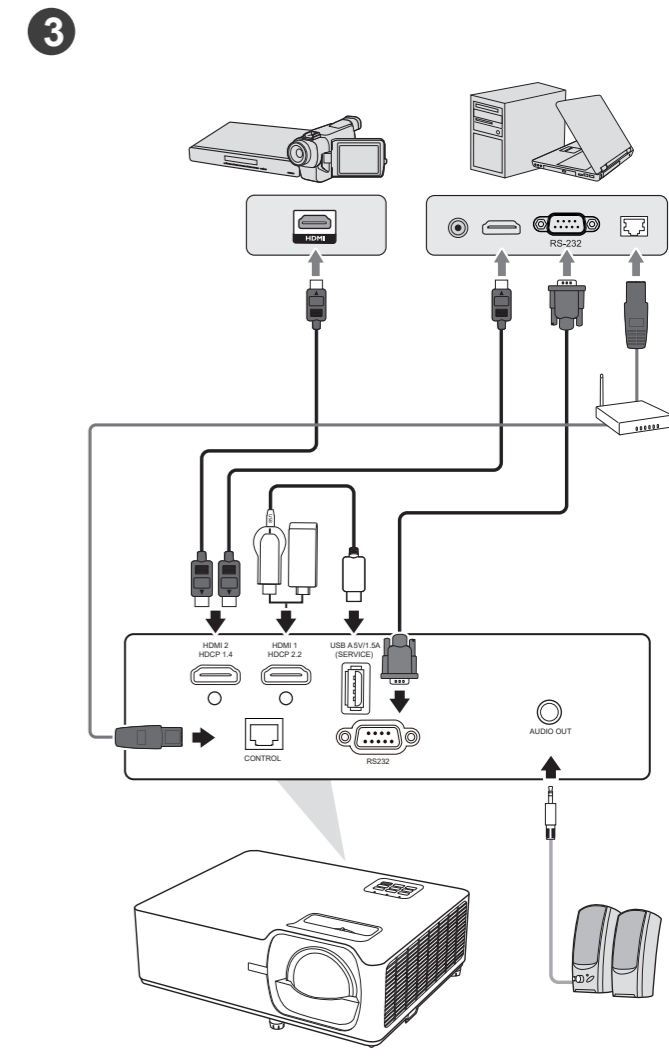
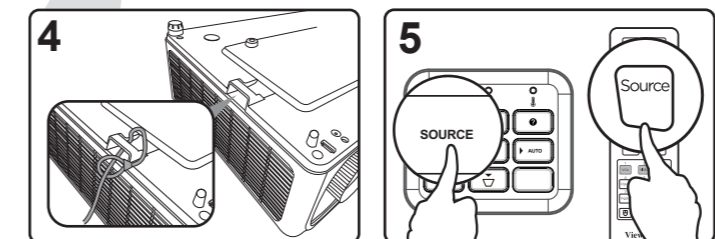
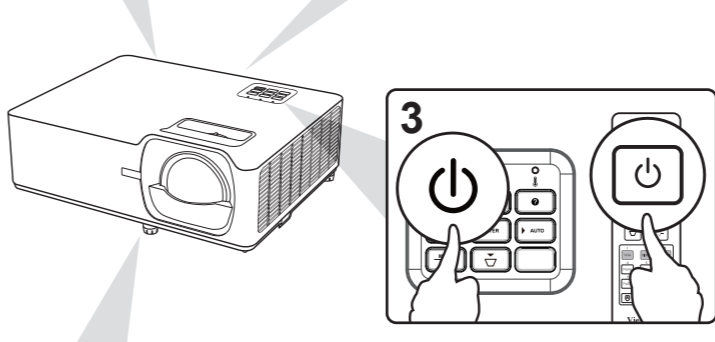
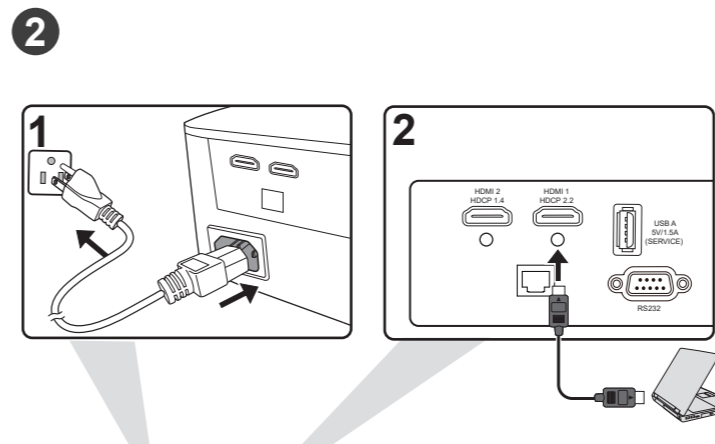
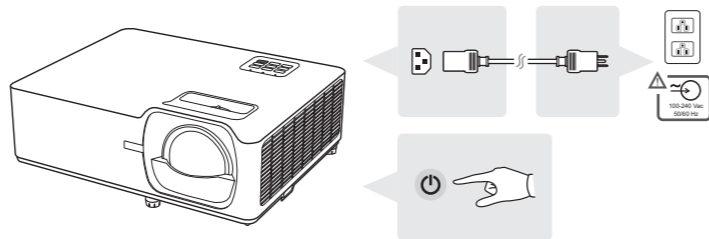
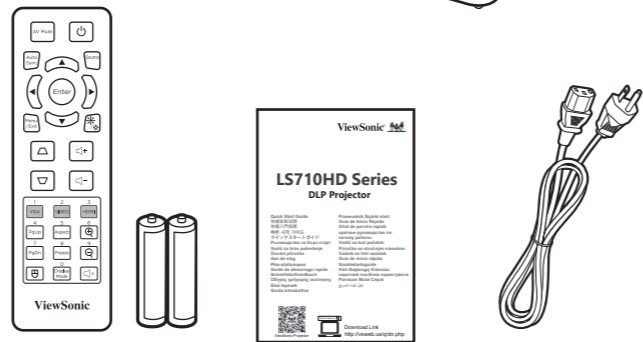
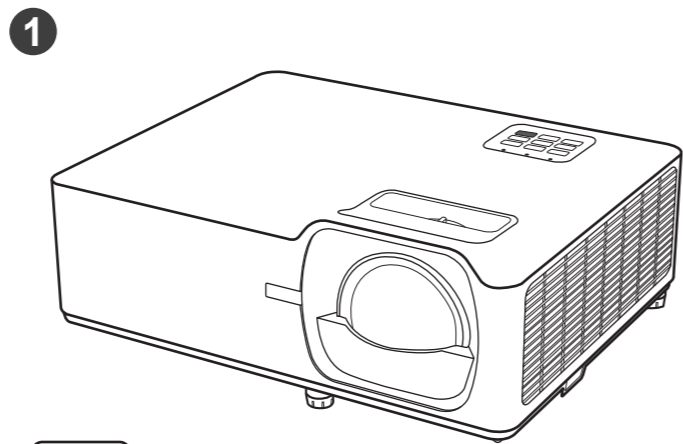


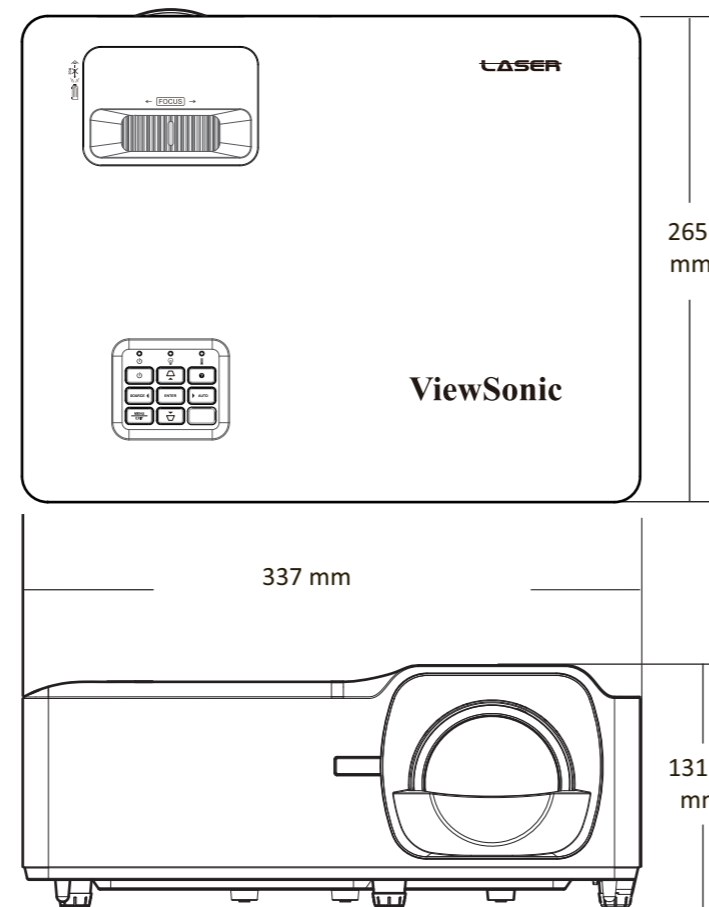
LS710HD Series DLP Projector

Quick Start Guide
快速安装说明
快速入門指南
빠른 시작 가이드
クイックスタートガイド
Ръководство за бърз старт
Vodič za brzo pokretanje
Úvodní příručka
Aan de slag
Pika-aloitusopas
Guide de démarrage rapide
Schnellstarthandbuch
Οδηγός γρήγορης εκκίνησης
Első lépések
Guida introduttiva

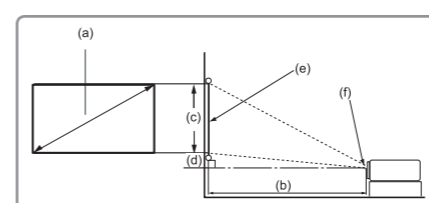
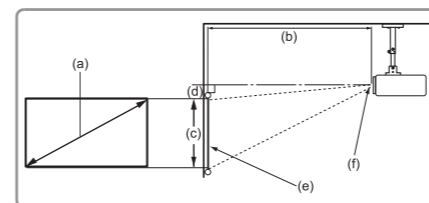
Przewodnik Szybki start
Guia de Início Rápido
Ghid de pornire rapidă
краткое руководство по началу работы
Vodič za brzi početak
Príručka so stručným návodom
Vodnik za hitri začetek
Guía de inicio rápido
Snabbstartsguide
Hızlı Başlangıç Kılavuzu
короткий посібник користувача
Panduan Mulai Cepat
دليل البدء السريع



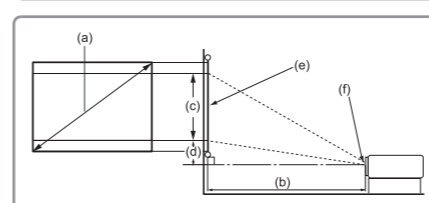
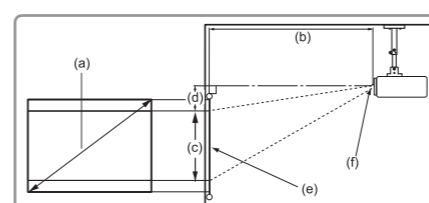
5 Mounting Screw: M4 x 10 (Max. L=10 mm)
Unit: mm



6 •16:9 image on a 16:9 screen



•16:9 image on a 4:3 screen



(e) = Screen
(f) = Center of Lens

(a) Screen Size		16:9 Image on a 16:9 Screen							
		(b) Projection distance				(c) Image height			
inch	mm	min.	max.	min.	max.	min.	max.	(d) Vertical offset	
40	1016	17.3	439.2	17.3	439.2	19.6	498.1	3.1	79.7
50	1270	21.6	549.0	21.6	549.0	24.5	622.3	3.9	99.6
60	1524	25.9	658.8	25.9	658.8	29.4	746.8	4.7	119.5
70	1778	30.3	768.6	30.3	768.6	34.3	871.2	5.5	139.4
80	2032	34.6	878.4	34.6	878.4	39.2	995.7	6.3	159.3
90	2286	38.9	988.2	38.9	988.2	44.1	1120.1	7.1	179.2
100	2540	43.2	1098.0	43.2	1098.0	49.0	1244.6	7.8	199.1
110	2794	47.6	1207.9	47.6	1207.9	53.9	1369.1	8.6	219.0
120	3048	51.9	1317.7	51.9	1317.7	58.8	1493.5	9.4	239.0
130	3302	56.2	1427.5	56.2	1427.5	63.7	1618.0	10.2	258.9
140	3556	60.5	1537.3	60.5	1537.3	68.6	1742.4	11.0	278.8
150	3810	64.8	1647.1	64.8	1647.1	73.5	1866.9	11.8	298.7
200	5080	86.5	2196.1	86.5	2196.1	98.1	2491.7	15.7	398.7
250	6350	108.1	2745.1	108.1	2745.1	122.6	3114.0	19.6	498.2
300	7633	129.9	3300.0	129.9	3300.0	147.3	3741.4	23.6	598.6

(a) Screen Size		16:9 Image on a 4:3 Screen							
		(b) Projection distance				(c) Image height			
inch	mm	min.	max.	min.	max.	min.	max.	(d) Vertical offset	
40	1016	15.9	403.1	15.9	403.1	18.0	457.2	2.9	73.2
50	1270	19.8	503.9	19.8	503.9	22.5	571.5	3.6	91.4
60	1524	23.8	604.7	23.8	604.7	27.0	685.8	4.3	109.7
70	1778	27.8	705.5	27.8	705.5	31.5	800.1	5.0	128.0
80	2032	31.7	806.3	31.7	806.3	36.0	914.4	5.8	146.3
90	2286	35.7	907.1	35.7	907.1	40.5	1028.7	6.5	164.6
100	2540	39.7	1007.9	39.7	1007.9	45.0	1143.0	7.2	182.9
110	2794	43.6	1108.7	43.6	1108.7	49.5	1257.3	7.9	201.2
120	3048	47.6	1209.4	47.6	1209.4	54.0	1371.6	8.6	219.5
130	3302	51.6	1310.2	51.6	1310.2	58.5	1485.9	9.4	237.7
140	3556	55.6	1411.0	55.6	1411.0	63.0	1600.2	10.1	256.0
150	3810	59.5	1511.8	59.5	1511.8	67.5	1714.5	10.8	274.3
200	5080	79.4	2015.7	79.4	2015.7	90.0	2286.0	14.4	365.8
250	6350	99.2	2519.7	99.2	2519.7	112.5	2857.5	18.0	457.2
300	7633	119.3	3029.0	119.3	3029.0	135.2	3435.1	21.6	549.6

It is recommended that if you intend to permanently install the projector, please physically test the projection size and distance using the actual projector in situ before you permanently install it.

